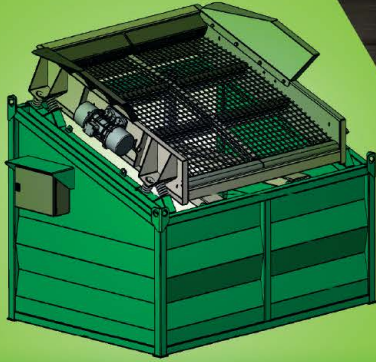


TRASERSCREEN DB-40M

Vibrating screener

DB
ENGINEERING



**Powerful semi-mobile
vibrating screener**



AG für **B**aummaschinen Scherikon

www.agfs.ch
info@agfs.ch
055 286 12 86





Quick change of meshes of sizes from 0,2mm to 120mm

Mobility
the transport consoles are included

Screen box on 8 steel springs

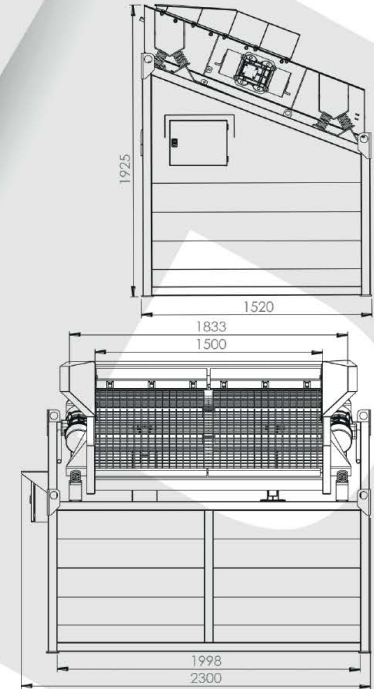


Screen box
meshes made of high-quality spring steel

Mobility
4 lifting points at an ideal angle

Mobility
built-in tilting transport consoles for backhoe loader or forklift

Frame
high-strength steel construction ensures maximum stability



Screening

- » Width x length: 1500 x 1450mm
- » Screening area: 2,18m²
- » Number of decks: 1
- » Number of fractions: 2
- » Number of meshes: 2 (745 x 1465mm)
- » Hopper width: 1833mm
- » Offtake width: 1998mm

Optional upgrades

- » Minimum requirement for the generator (7kVA)

Power

- » 2 x 0,25kW (230V)

Weight

- » 650kg

Transport method

- » Trailer

Screening

- » 15 - 45 t/h