

# DEVELON

Dozers

# DD130



Power 117 kW @ 2,200 rpm (SAE J 1995, Gross)

156.9 HP @ 2,200 rpm

Operating weight XL + RIPPER 14900 kg

Operating weight LGP1 + RIPPER 15200 kg

Operating weight LGP2 + RIPPER 15300 kg

# DEVELON

## MAKING TOUGH JOBS EASY

---

No matter whether you are working in a or on a road construction site, or supporting another machine in the field, the DEVELON Dozer DD130 provides the outstanding power you need for earth moving. In addition, you get superior visibility for better grading precision and outstanding cabin comfort even over the roughest terrains. Choose a DEVELON Dozer DD130 and feel the true power of innovation.

**We are  
DEVELON**

Power 117 kW @ 2,200 rpm (SAE J 1995, Gross)

156.9 HP @ 2,200 rpm

Operating weight XL + RIPPER 14900 kg

Operating weight LGP1 + RIPPER 15200 kg

Operating weight LGP2 + RIPPER 15300 kg



# NEVER STOP PUSHING FOR MORE

DEVELON Dozer pushes the limits of what you can expect from a powerful earthmoving machine - with best-in-class horsepower (gross and net), best-in-class weight (DD130 - base unit) and built-in efficiency features for today's toughest grading assignments.

## 6-way power-tilt angle blade

The 6-way power-tilt angle blade provides better efficiency and reduces the number of passes on each job by allowing you to lift, tilt and angle it as required. 2D system is fitted as standard to make precision grading easy. The operator simply makes the necessary settings, and the machine controls all the relevant blade functions - finishing the job faster and with better accuracy. No GPS or lasers are required.

## Superior visibility

DEVELON DD130 offers superior visibility:

- Inline pre-cleaner
- Narrow front nose
- Standard rearview camera
- Minimized cab pillars
- Maximum glass area

## Comfort

Comfort is crucial for dozing operations. You are always on the move, and dozing and ripping generate a lot of vibrations. The DD130 offers an excellent level of comfort with a high-quality seat. The seat and controls move together on air suspension, to absorb all vibration.

## Undercarriage

A highly durable undercarriage withstands the most rugged conditions and keeps maintenance costs low. The exclusive undercarriage design features dual and single flanges rollers



# MAKE A HARD JOB EASILY DONE

## Easy maintenance

When maintenance is needed, the dozer's cabin tilts up to provide convenient access. There's no need to disassemble the cab to reach critical components. Regular inspection points are easily accessible at ground level.



### Intake system

A high-efficiency, integrated pre-cleaner improves filter life. The standard in-line pre-cleaner is integrated with the air cleaner and the whole assembly is compact enough to fit inside the small engine compartment. Self-cleaning and maintenance-free, the system expels all types of mixed debris, including mud, snow, rain, leaves, sawdust, and chaff.

### Hydraulically controlled cooling system

The hydraulic system includes reversible fans as a standard feature. Operators can set the fans to reverse automatically at a predetermined time interval. The cooling system is located in the rear of the machine instead of the front. This results in a more compact front engine compartment and better visibility over the blade.

### Fuel system

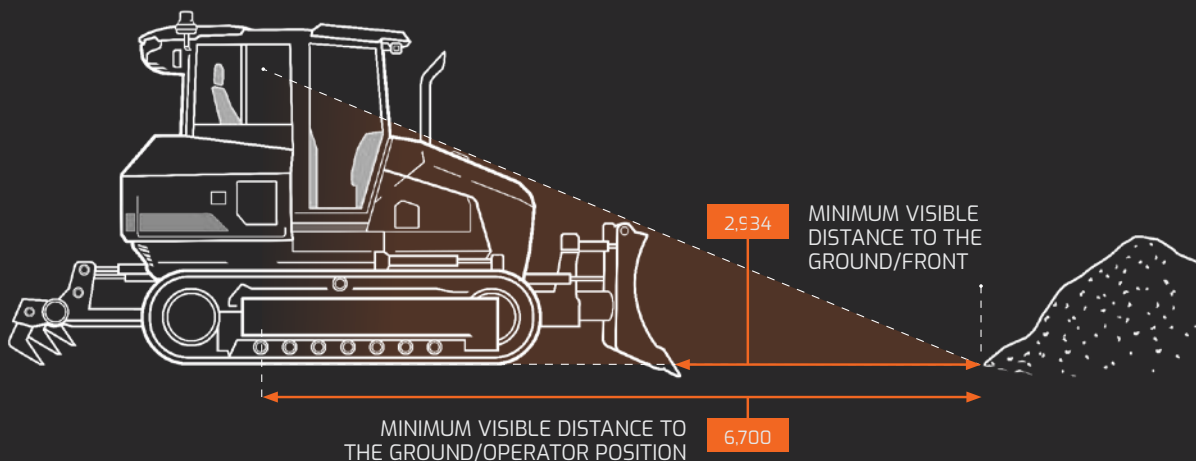
An easily accessible, filter-type, high-performance water separator effectively captures moisture in the fuel, reducing impurities and helping to eliminate contamination. Standard pre-filters and dual main filters achieve a high degree of purity, minimizing fuel system failures.



# SEE WHAT OTHERS CAN'T SEE

## Best-in-class visibility

DEVELON has designed the DD130 for optimal grade visibility. With a built-in pre-cleaner under the hood, a radiator and hydraulic oil cooler positioned at the rear, and a streamlined front end, operators enjoy a clear view of the blade. The cab features all-around, panoramic glass, ensuring situational awareness in any environment. Whether the operator is navigating a crowded construction site or working in tight quarters, he has full situational awareness needed for maximum confidence and productivity.







## A leader in visibility to the blade

- › Visibility is a top priority in the design of DEVELON dozers.
- › The narrow front nose makes it easier to see your work. The hydraulically driven cooling system for the radiator/oil cooler module is located at the rear of the machine, giving an unobstructed view over the blade.
- › The in-line pre-cleaner is located under the hood to provide the operator with a clearer view ahead.
- › Ultra-compact front cab pillars minimize obstruction, and all-glass doors mean a larger glass area and maximum visibility.
- › Standard features include a rearview camera, four high-illumination LED lights and four premium, smooth-glide wiper blades.

# MAKE ROUGH TERRAIN FEEL LIKE HOME

## Keep pushing in comfort

DEVELON dozers are designed with high-traffic job sites, challenging work and long days in mind. Superior visibility and quiet, comfortable cabs make rough terrain feel like home for operators of all skill levels.



### Comfort and safety features

The heating and air conditioning system features multiple air vents in the front, rear, and floor areas to keep operators comfortable in all seasons.

Front and door glass defrost vents improve visibility. The front glass defrost system meets EN474 ISO10263 defrost standards.

The cab's suspension system (CabSus mount) dampens vibrations and provides outstanding protection against impact. Driving Shock Improvements delivers a smoother ride, even when starting and stopping the dozer.



The hands-free audio system lets the operator choose AM/FM, pair and connect a Bluetooth® device, make and answer phone calls in hands-free mode and play audio from a USB device.

A variety of features are provided to improve operator safety, including an Operator Presence Switch (OPS) that stops the machine when the operator stands up, a seatbelt warning alarm and a rotating beacon. DEVELON DD130 dozer meet the safety standards of ROPS (Roll Over Protective Structure) and FOPS (Falling Object Protective Structure) requirements.

# Machinery that stands the test of time

## Durability in a dozer

Dozer work can be punishing on machine components. DEVELON DD130 dozer is engineered to withstand the harshest conditions and for easy maintenance to keep you pushing ahead.

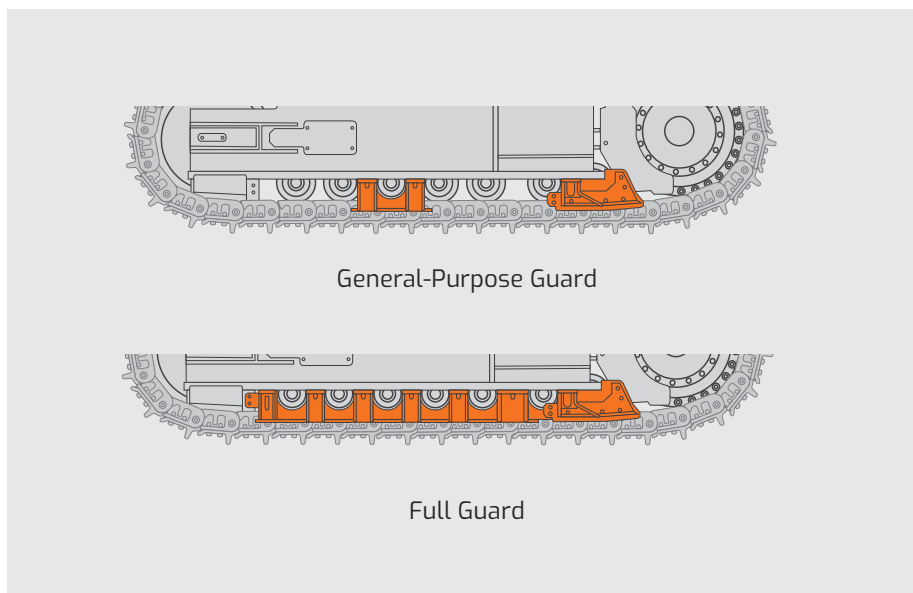


### Exclusive undercarriage design

DEVELON has developed a unique dozer undercarriage system to help lower total cost of operation. The undercarriage features sealed and lubricated components, as well as single and dual-flange rollers, to improve durability and extend component life.

Dual-flange rollers work outside the track chain while single-flange rollers sit inside. This combination helps ensure that the track stays on the undercarriage, reducing wear and improving operator comfort.

Areas of the undercarriage subject to the most wear and tear are easy to access.



Two track guard options, general-purpose and full guard, offer exceptional performance and uptime protection.

Different track shoe options are also available to help distribute load on the ground to suit site conditions.

Thinner tracks are best for rugged, rocky environments. A low-ground pressure tracks are best for sandy soil conditions.



# FULLY ELECTRONIC CONTROLS

## All in the palm of your hand

DEVELON dozers are designed to meet the needs of operators of every skill level. Electrohydraulic controls are fitted as standard, making DEVELON machines easier to work with even for inexperienced operators. The ergonomically designed joystick offers low-effort control to reduce operator fatigue.

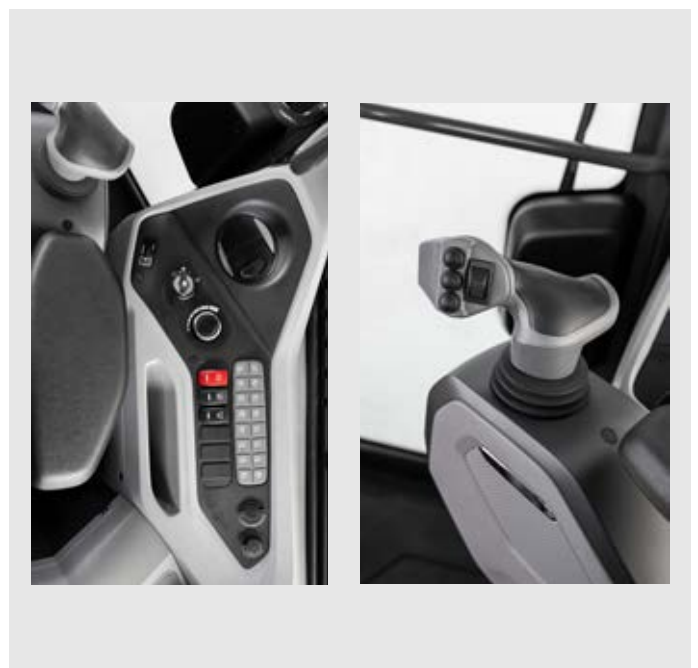


## Do more in less time

The DEVELON dozer cab layout and controls are similar to those of DEVELON -7 Series excavators and wheel loaders. Operators are therefore more productive as they move from machine to machine throughout the workday.

## Premium features come as standard

The user-friendly, multilingual Smart Touch display, a standard feature, shows all important settings and information on the one screen. This easy-to-read touch screen lets the operator, monitor critical dozer functions and control machine settings, the rear-view camera, heating and cooling, radio, Bluetooth wireless technology and more besides.



# DOZING ASSIST CONTROL FOR GREATER PRECISION

Dozing Assist control comes as standard to enhance the precision of all operators, whether seasoned grading professionals or those just starting out. They only need to program the necessary inputs, for a single slope or even two slopes. The machine then takes over, autonomously managing the blade to complete the task swiftly and with unparalleled accuracy. The best part? No need for GPS or lasers - meaning that the entire process is more streamlined and user-friendly.



- > Values in green represent real-time blade roll or tilt, in automatic mode, to match target slopes.
- > The values 3.0% and 1.0% represent the target slopes. These values can be adjusted by the operator using the joysticks.
- > The DAC indicator lights on when Dozing Assist Control is activated.

DEVELON Fleet Management > Management on  
the job site > Work Efficiency Management >  
Preventive management > Proactive service





# Monitor your equipment from anywhere

To compete and succeed, your equipment needs to maximize job site productivity and the bottom line. DEVELON machines do both. To ensure a high return on investment, we add more premium features as standard equipment on every model. Our standard features are often options that other manufacturers only provide at extra cost. By including them as standard, DEVELON gives you a competitive edge – helping operators work more efficiently and improving safety during long days on the field.

---

## OPERATION TREND

Total operation hours and operation hours by mode.

---

## FUEL EFFICIENCY\*

Fuel level and fuel consumption

---

## REPORTS & LOCATION

Operation report & utilization. GSP and geo-fence.

---

## WARNING & ALERT

Detect machine warnings, antenna disconnection, and geo/time fence

---

## FILTER & OIL MANAGEMENT

---

Preventive maintenance by item replacement cycle.

### TELEMATICS TERMINAL

Terminal device is installed and connected to a machine to capture machine data.

### TELECOMMUNICATION

Develon provides dual-mode (Mobile, Satellite) communication to maximize communication coverage.

### DEVELON FLEET MANAGEMENT WEB

Users can monitor machine status from Develon Fleet Management Web.

*\*Functions may not be applied to all models. Please, contact your sales representative for more information on this feature.*



# Attachments

Dozer attachments bring added versatility to the job and are built to DEVELON machine specifications for superior reliability and performance.



## Parallel 3-Shank Ripper Attachment

The DEVELON dozer includes piping for an optional parallel 3-shank ripper attachment, making it easy to add. The ripper attachment features parallel linkage that helps maintain a constant angle to the ground regardless of the height. The ripper attachment helps to quickly break up hard, rugged materials prior to grading.



## Towing Draw Bar Attachment

Adding a towing draw bar attachment enables you to use your dozer for towing other equipment around the job site.

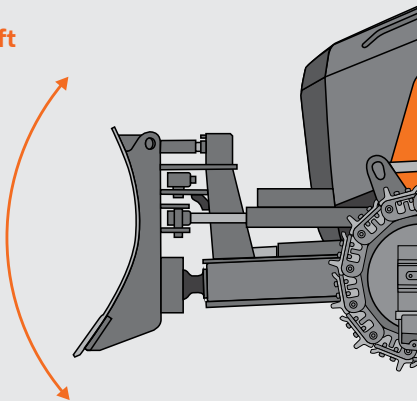


## Two Blade Options

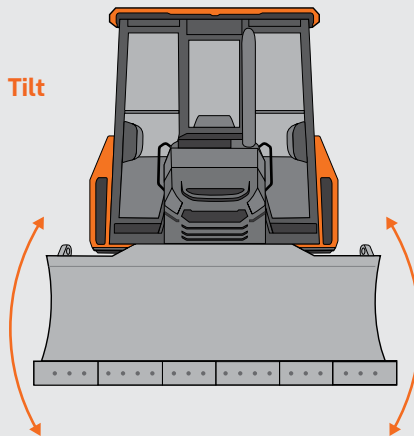
Choose from a standard (XL) blade or a low-ground pressure (LGP) configuration. See model spec sheets for blade capacity details.

## Blade Tilt

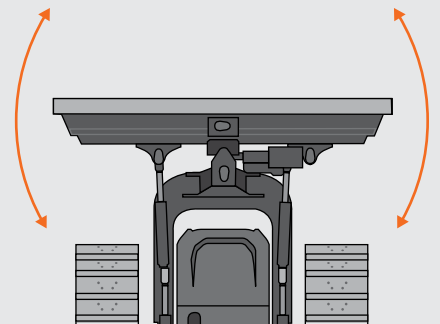
Lift



Tilt



Angle



# DEVELON

## TECHNICAL SPECIFICATIONS

# DD130



### ENGINE

Engine system	PERKINS
Model	1204J
Number of cylinders	4
Rated power, gross (hp per SAE J1995)	117.0 kW @ 2200 rpm
Rated power, net (hp per SAE J1995)	156.9 HP @ 2200 rpm
Maximum torque Variable geometry twin turbocharger (2-Stage)	710 N.m @ 1400 rpm
Displacement	4,400 cc
Bore and stroke	4.1 in. x 5.0 in. (105 mm x 127 mm)
Starter	24 V, 10.5 hp (7.8 kW)
Battery system voltage	24 V, 12V x 2, 100 AH
Alternator voltage	24 V, 100 amp
Air cleaner	Dual element

### HYDRAULICS

Main pump Type: VARIABLE DISPLACEMENT AXIAL PISTON PUMP	60 cc/rev
MAX. FLOW RATE	132 Liter/min
PUMP CUT-OFF PRESSURE	265 bar
FAN PUMP	30.34 cc/rev
MAX. FLOW RATE	66.75 Liter/min
Relief valve pressure	205 bar
Travel speed (F/R)	5.6 mph (9.0 km/h)
Max. traction force (drawbar pull)	48.5 kipf (22.0 ton.f)

### NOISE LEVEL

Guaranteed sound power level	106 dB(A) (2000/14/EC)
Measured sound power level Operator Noise	105 dB(A) (2000/14/EC) 76 dB(A) (ISO 6396)

### TRAVEL SYSTEM

HST PUMP AXIAL PISTON	2 x 71 cc/rev
MAX. FLOW RATE	2 x 156.2 Liter/min
HST MOTOR SWASH PLATE, AXIAL PISTON	2 x 160 cc/rev
MAX. FLOW RATE	2 x 312 Liter/min
REDUCTION GEAR TYPE	2-STAGE PLANETARY GEAR
REDUCTION GEAR RATIO	50.6
MAX. OUTPUT TORQUE	62.7/34.7 kN.m(6,398 / 3,543 kgf.m)
TRAVELLING PERFORMANCETRAVELLING SPEED	9 km/hr
MAX. TRACTION FORCE	22.0 ton



# DIMENSIONS

Classification	Dimension	Unit.	XL	LGPI	LGP2
----------------	-----------	-------	----	------	------

## HEIGHT

H1	Machine height from tip of grouser (Cab)	mm	3130	3130	3130
H1'	Machine height from tip of grouser (with Guard)	mm	3180	3180	3180
H2	Blade height	mm	1115	1115	1115
H3	Blade lift height	mm	1110	1110	1110
H4	Digging depth	mm	405	405	405
H5	Maximum Tilt Height (Blade)	mm	435	510	470
H7	Ground clearance (W/O grouser)	mm	355	355	355
H8	Ripper height	mm	1110	1110	1110
H9	Ripper Digging depth	mm	280	280	280
H10	Maximum ground clearance under tip - Ripper	mm	585	585	585
H11	Grouser height	mm	57	57	57

## LENGHT

L1	Overall length with blade & Ripper	mm	6030	6030	6030
L1'	Overall lenght with blade only	mm	5035	5035	5035
L4	Track lenght	mm	3690	3690	3690

## WIDTH

W1	Overall width (Blade width)	mm	3105	3655	3345
W2	Overall width at Max. Angle	mm	2870	3370	3090
W3	Blade width at Max. Angle	mm	2870	3370	3090
W4	Machine width - without blade	mm	2330	2760	2710
W5	Track Gauge	mm	1770	2000	2000
W6	Shoe width	mm	560	760	710
W8	Overall Ripper width	mm	1860	1860	1860
W9	Ripping width	mm	1740	1740	1740
W10	Distance between shank (Ripper)	mm	870	870	870

## ANGLE

A1	Maximum Blade Angle	deg	25	25	25
A2	Maximum Tilt Angle	deg	8	8	8
A3	Blade Cutting Edge Angle (Adjustable)	deg	52°-58	52°-58	52°-58

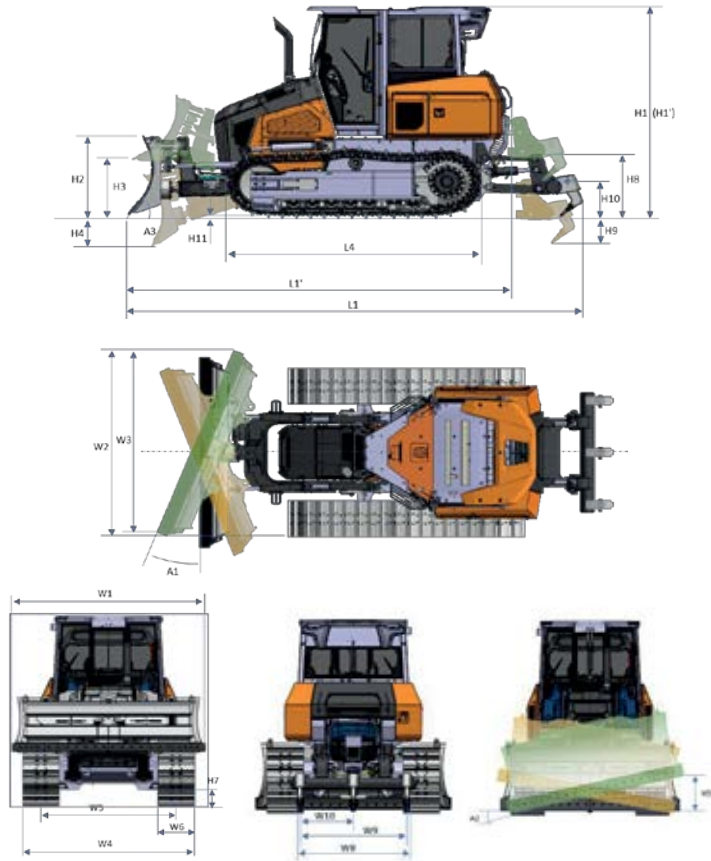
## REAR ATTACHMENTS

Item	Unit	Figure	Remarks
Body W/O Front	kg	12,280	with shoe
SHOE	kg	2970/2850/2500	LGPI/LGP2/ XL
C-frame assy	kg	956	with cover
- C-Frame	kg	700	with cover
- Lifting CYT. (2ea)	kg	92	with bush
- Angle CYL. (2ea)	kg	89	with bush
- Tilt CYL. (1ea)	kg	54	with bush
Blade assy XL	kg	933	
Blade assy LGPI	kg	1072	
Blade assy LGP2	kg	992	
Ripper assy	kg	865	

## GROUND CONTACT AREA

	CM2
XL version with 560mm shoes	33818 cm2
LGPI version with 710mm shoes	42875 cm2
LGP2 version with 760mm shoes	45895 cm2

	Width (mm)	Capacity (m <sup>3</sup> )	Weight (kg)
<b>FRONT ATTACHMENTS</b>			
BLADE XL	3103	3.54	929
BLADE LGP1	3653	4.18	1,071
BLADE LGP2 (EU)	3343	3.75	992
<b>REAR ATTACHMENTS</b>			
Ripper	1,964	866	Parellelogram
Towing drawbar			



MODEL	DD130	DWG No	16/21
-------	-------	--------	-------

## Standard & Optional Equipment

### STANDARD

Dozing Assist Control System	■
Non Rear Attachment	■
Hydraulic PIPING FOR RIPPER	■
710mm LGP Shoe	■
Normal Track Guard	■
VPAT BLADE 3.75M3 and 3343mm width	■
DAB Audio(Handsfree&Bluetooth)	■
Rotating Beacon	■
Full Led working lights pack	■
Translation alarm	■
Develon connect 3.0 GLOBAL DUAL(SAT+CELL)	■
SEAT BELT WARNING	■

### OPTIONAL

Parallel Ripper 3 teeth	●
Towing Draw Bar	●
510mm shoes with VPAT blade 3.54m3 and 3100mm width	●
760mm shoes with VPAT BLADE 4.180M3 and 3653mm width	●
Forestry Guard	●
Full track guard	●

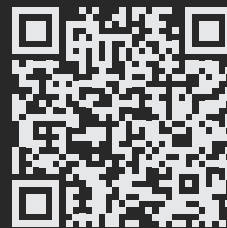
\*Some of these options may be standard in some markets. Some of these options may not be available for certain markets. Please, check with your local DEVELON dealer for more information about availability or to adapt your machine to your application needs.



www.agfbs.ch / Tel. 055 286 12 86

# Powered by Innovation

# DEVELON



HD Hyundai Infracore Europe s.r.o.  
IBC - Pobrezni 620/3,  
18600 Praha 8 - Karlin, Czechia

©2023 HD DEVELON. All rights reserved.

Certain specification(s) are based on engineering calculations and are not actual measurements. Specification(s) are provided for comparison purposes only and are subject to change without notice. Specification(s) for your individual DEVELON equipment will vary based on normal variations in design, manufacturing, operating conditions, and other factors. Pictures of DEVELON units may show other than standard equipment.