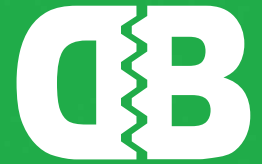
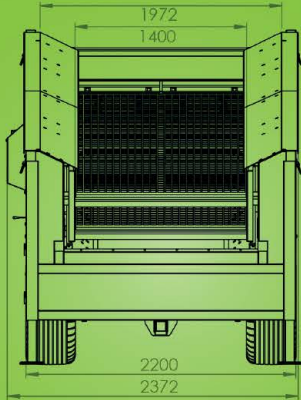


TRASERSCREEN DB-60

Vibrating screener



ENGINEERING



Powerful mobile
Vibrating screener



AG für Baumaschinen Scherikon

www.agfs.ch
info@agfs.ch
055 286 12 86





Fine fraction conveyor

Wheel chocks

Electro-hydraulic aggregate

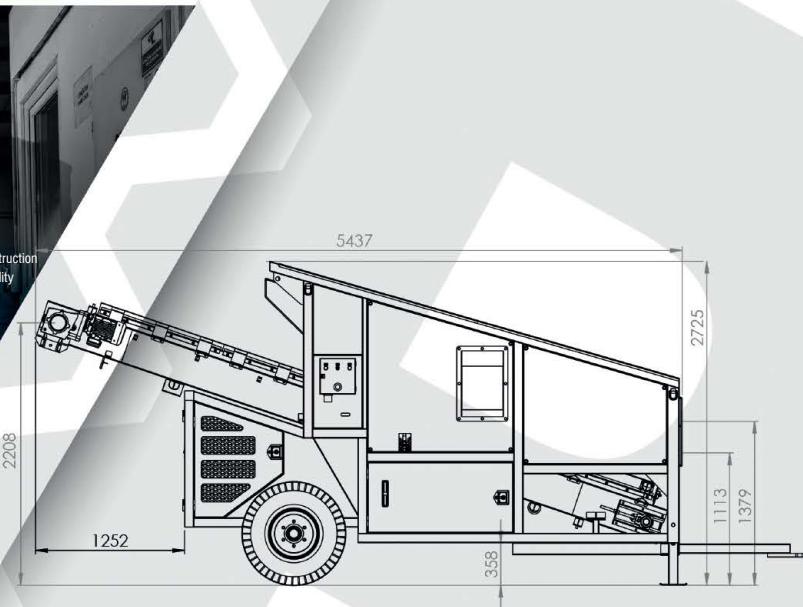


Screen box
meshes made of high-quality spring steel

Lifting point
4 lifting points at an ideal angle

Frame
high-strength steel construction ensures maximum stability

Retractable coupler



Screening

- » Width x length: 1400 x 2835mm
- » Screening area: 3,97m²
- » Number of decks: 2
- » Number of fractions: 2
- » Number of meshes: 2 (1390 x 2850mm)
- » Hopper width: 1972mm
- » Offtake width: -

Optional upgrades

- » Minimum requirement for the generator (22kVA)

Power

- » 5,5kW screener
- » 3kW conveyor

Weight

- » 3400kg

Transport method

- » Trailer

Screening

- » depending on the material