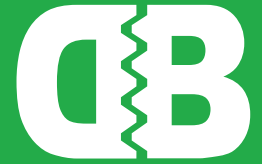


TRASERSCREEN DB-45

Vibrating screener



ENGINEERING



**Powerful
vibrating screener**



AG für **B**aummaschinen Schermerikon

www.agfs.ch
info@agfs.ch
055 286 12 86



Quick change of meshes
of sizes from 0.2mm to 120mm



Electrical box with
hour meter counter



Screen box on
12 steel springs



Mobility
4 lifting points at
an ideal angle



Electrical box

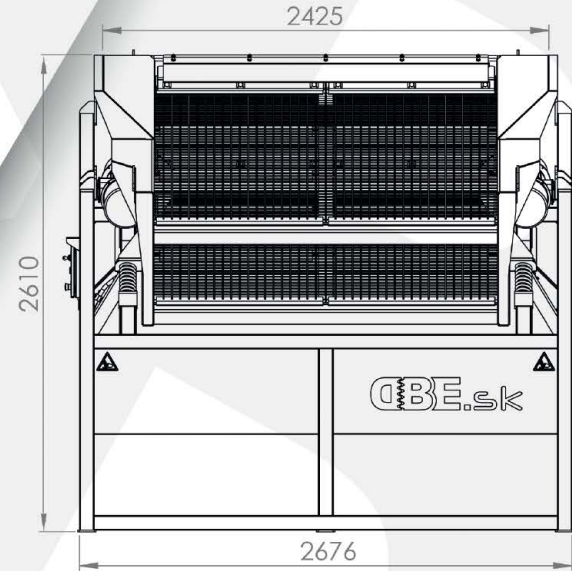
Electrical box with the possibility
to change the rotation
of the screen box

Screen box

Meshes made of high-quality spring steel

Frame

High-strength steel construction ensures maximum stability



Screening

- » Width x Length: 1866 x 2315mm
- » Screening area: 4,32m²
- » Number of decks: 2
- » Number of fractions: 2
- » Number of meshes: 4 (920mm x 2330mm)
- » Hopper width: 2425mm
- » Offtake width: 2516mm

Optional upgrades

- » Minimum requirement for the generator (9 kVA)

Power

- » Screener: 2x1,5kW

Weight

- » 2200kg

Transport method

- » Trailer

Screening

- » Depending on the material