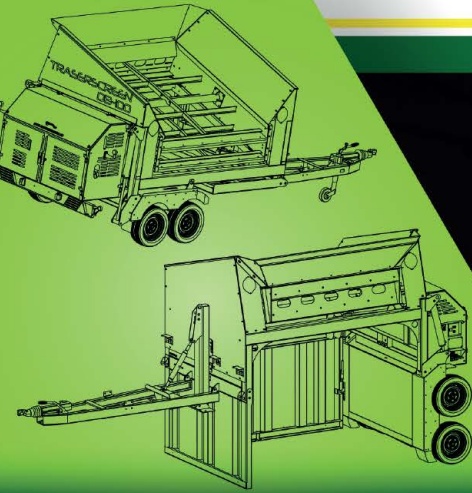
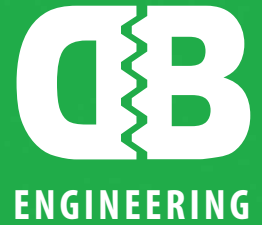


TRASERSCREEN DB100

vibrating screener



Powerful mobile vibrating screener



AG für Baumaschinen Schmerikon

www.agfs.ch
info@agfs.ch
055 286 12 86





Kubota diesel engine 7kW



Foldable front panel



Change from transport to work position



2500mm

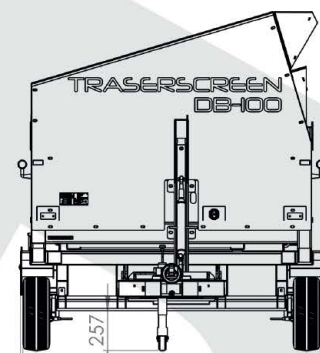
2926mm

Kubota diesel engine 7kW

Screen box
meshes made of high-quality spring steel

Mobility
change from transport to work position within a few minutes

Frame
high-strength steel construction ensures maximum stability



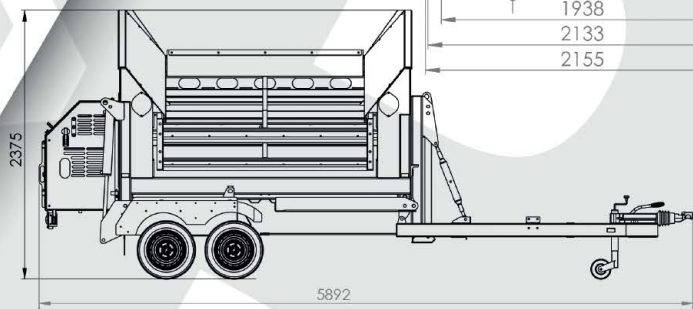
TRASERSCREEN DB-100

257

1938

2133

2155



2375

5892

Screening

- » Width x length: 1830 x 1850mm
- » Screening area: 3,39m²
- » Number of decks: 2
- » Number of fractions: 2
- » Number of meshes: 4 (910 x 1865mm)
- » Hopper width: 2500mm
- » Offtake width: 2400mm

Optional upgrades

- » 3 fractions chute
- » Trailer coupling
- » Pad under the chassis

Power

- » Kubota diesel engine 7kW

Weight

- » 2800kg

Transport method

- » Trailer category O2

Screening

- » 37 - 150 t/h

